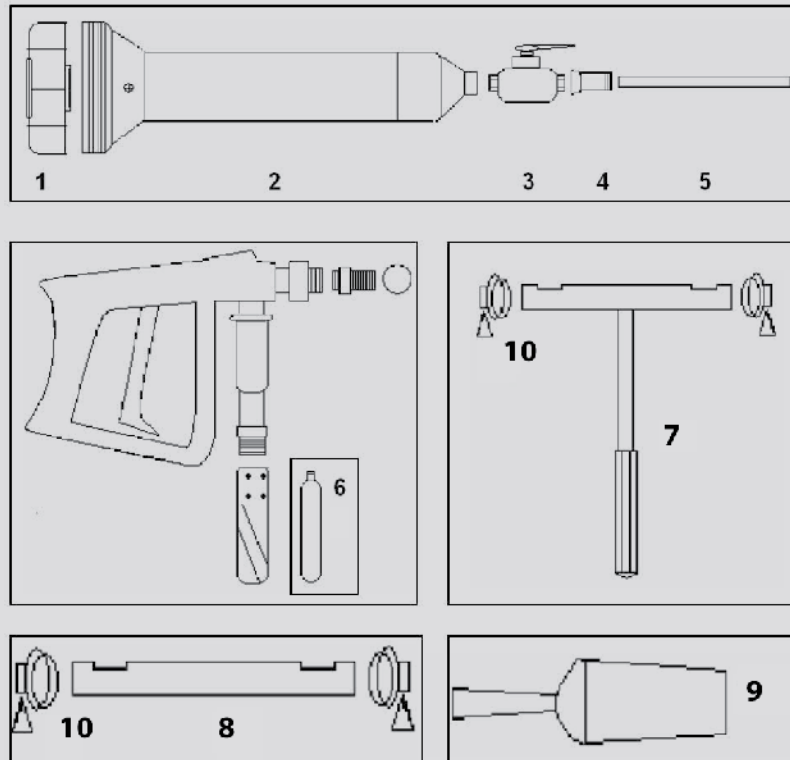


PA2 REPLACEMENT PARTS DIAGRAM



KEY	PART	DESCRIPTION
1	PAS004	Powder Container Cap
2	PAS003	Powder Container -Bare
3	V003	Powder Container Outlet Tap
4	PA021	Powder Tap Adaptor
5	PA020	Powder Tube
6	PA2CART50	CO2 Gas Cartridge (Pack of 50)
7	PAS011	Stabiliser Handle
8	PAS019	Lance Joint Support Bracket
9	PA026	Powder Scoop
10	PA017	Wingspade Clip
ASSEMBLY PARTS 1-5	PAS005	Powder Container Complete
ASSEMBLY PARTS 4-5	PAS016	Powder Tube Complete